

Workers on the Top of Tanks ...

... and the Collective Effort of All Stakeholders to Improve Safety, thereof

A Best Practices Discussion
NTTC Safety & Security Council Annual Meeting
June 22
Nashville

John Freiler, Truck Trailer Manufacturers Association



Formation

- First General Meeting – March 17, 2010 – in WI
- Critical mass of stakeholders – 60+
- Shippers, carriers, manufacturers ...
- Need for integrated solutions involving all stakeholders
- Commitment to making a difference
- Creation of a *volunteer* Steering Committee
- Development of ‘Top Ten List’



The Top Ten Reasons

1. Assuring security
2. Checking equipment including ...
 - Cleanouts
 - Manhole
 - Venting
3. Extracting samples
4. Loading or unloading product
5. Assessing liquid content levels
6. Initiating
 - Air unloading
 - Vapor recovery
7. Performing maintenance and routine inspections
8. Washing tank
9. Removing snow
10. Discharging heel



Results

- www.cargotanksafety.org
- 14 collaborative General Meetings, thus far
- TTMA Technical Bulletin on 'replacement ladders'
- A climbing guide for all workers
- A hierarchy protocol for all companies



NORTH AMERICAN HIERARCHY PROTOCOL FOR PROTECTION OF WORKERS ON THE TOP OF TANKS

REVISION 2: APRIL 2014

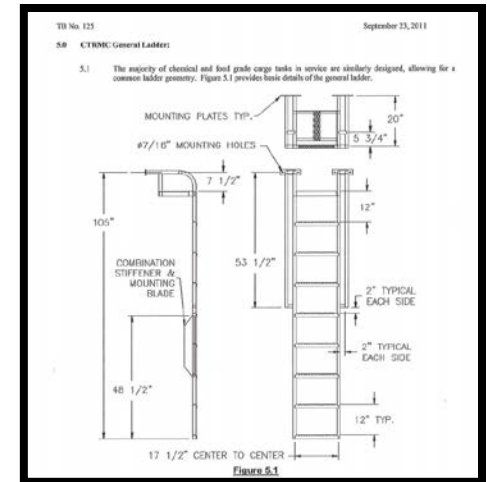


Cargo Tank Risk Management Committee

Minimum suggested standards for driver training to reduce the potential for falls while climbing cargo tank motor vehicles.

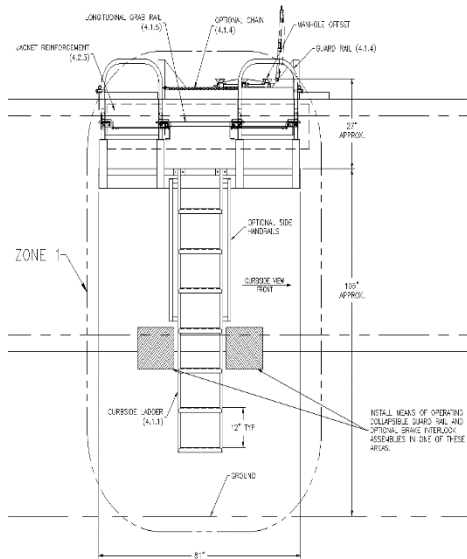


June 2012 Edition



More Results

- TTMA Recommended Practice on 'Vision 2020' ladders and walkways for new chemical tank trailers



Cargo Tank Risk Management Committee



Minimum suggested standards for driver training to reduce the potential for falls while entering and exiting tractors.



January 2016 Edition

- A training guide for tractor entry/exit
- OSHA 2007-0072 commentary

Workers **on the Top of Tanks** ...

As we've made progress and matured as a volunteer organization, we are transitioning and expanding our scope to include ...

Workers **In and Around Tanks**

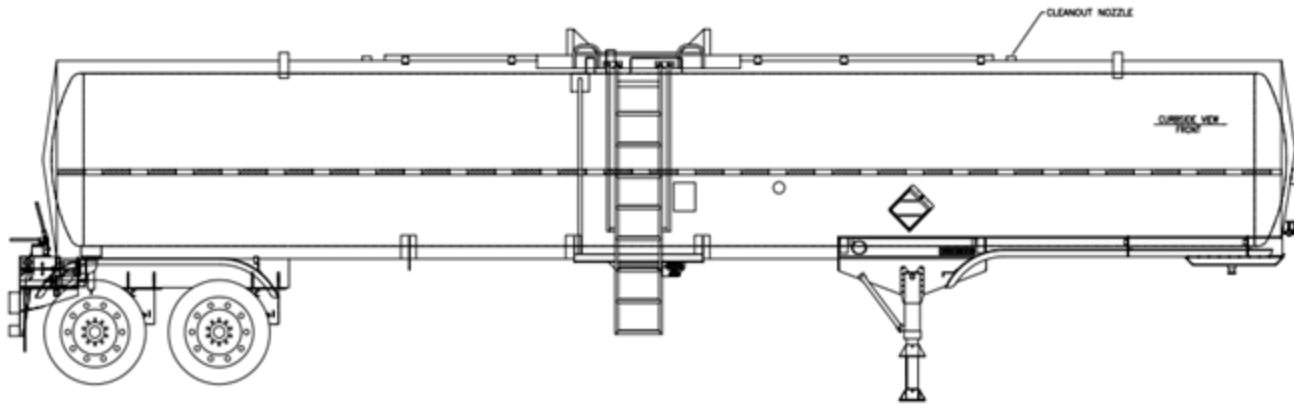
Our Mission Continues

- Focus on Nitrogen rich atmospheres and CSE
- A protocol on samples
- Electronic seals
- Eliminating end cleanouts on chemical tank trailers

Men who died while cleaning oil tanker in southwest Bexar County were brothers in their 20s

By Mark D. Wilson Updated 1:37 pm, Thursday, June 30, 2016

✉ f t p s+ 6



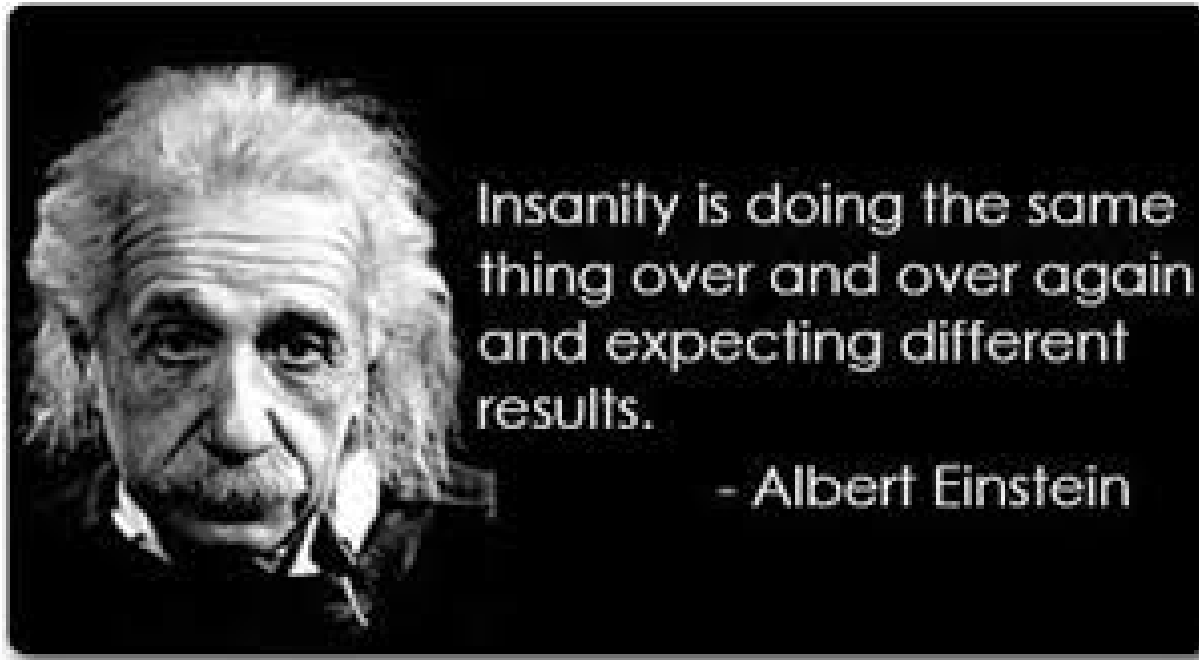
Seven Years into our Journey

- Steering Committee has grown to 15 volunteers
 - Shippers
 - Carriers
 - Insurers
 - Trade associations
 - Manufacturers
 - Wash racks
- General Meetings 15 and 16 are scheduled
 - NOLA, October 10-12, as part of NTTC Tank Truck Week
 - Canton, OH, March 2018
- Enthusiasm and commitment



What Can You Do?

- Attend our General Meetings and join the discussion
- Recruit other stakeholders to get involved
- Volunteer: Steering Committee? Initiatives? Hosting meetings?
- Be an agent of change!



Thank You!

- Questions?
- Comments?

